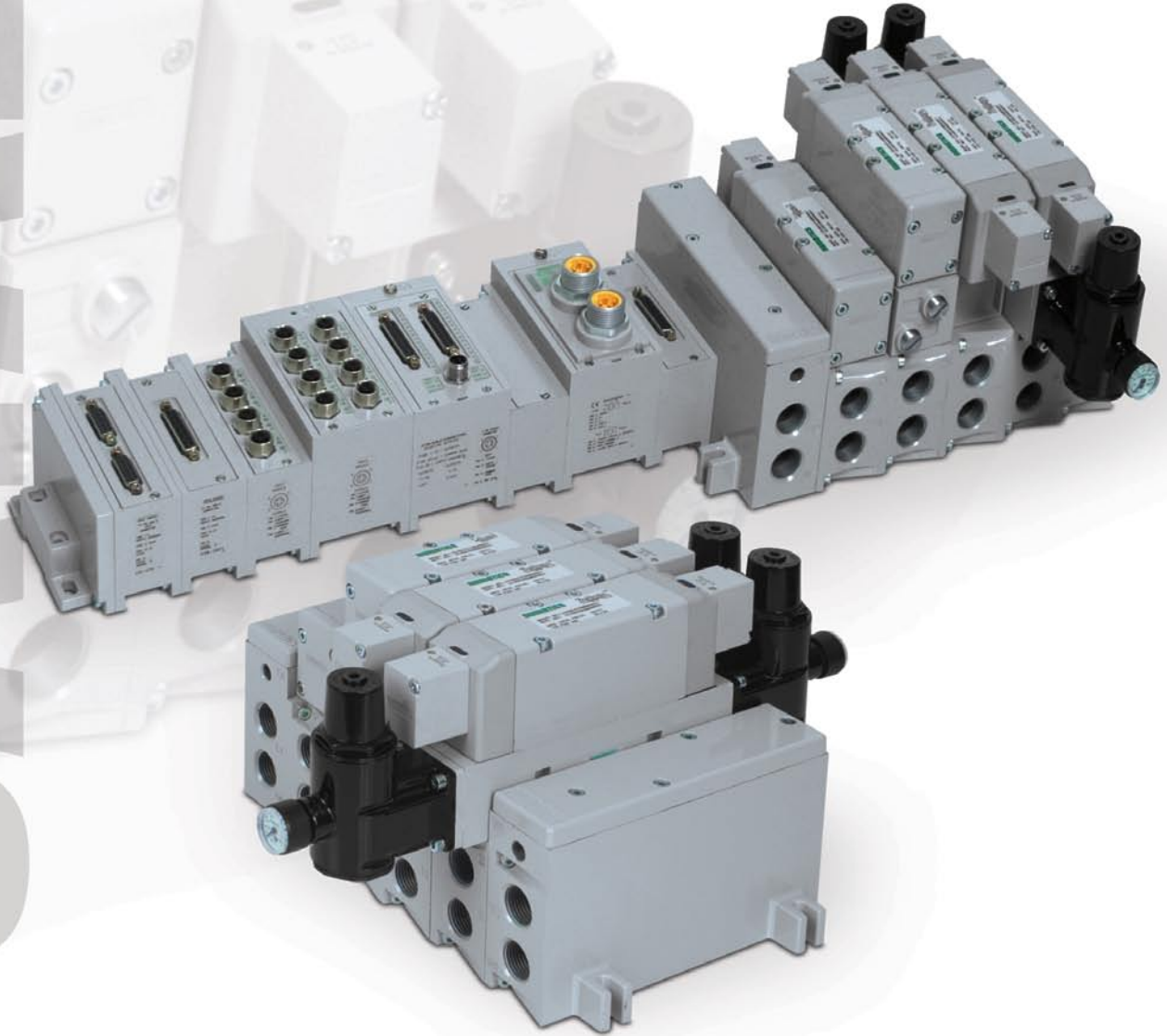


valves

2035 Series

Solenoid Pilot Actuated Valves

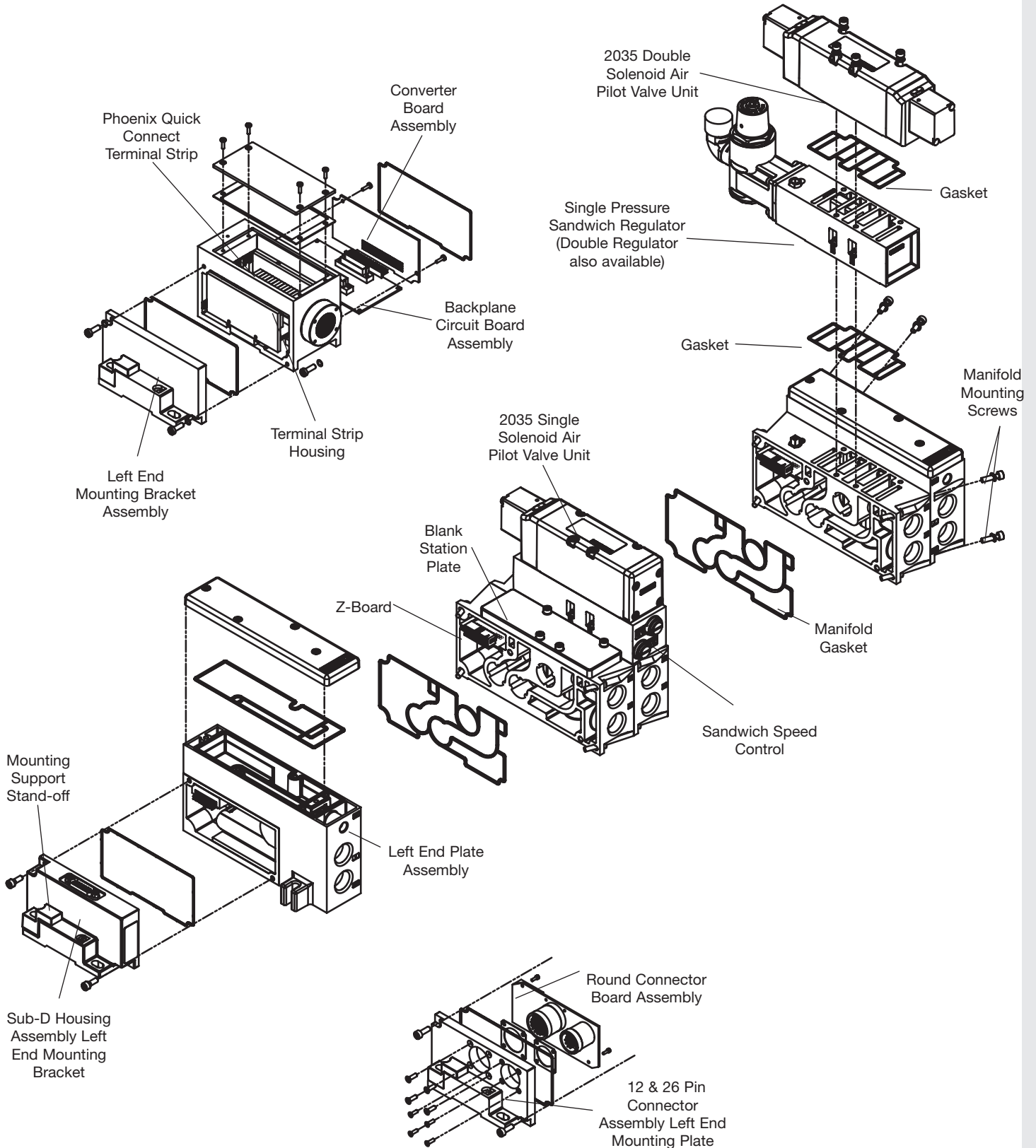


NUMATICS

2035 Series	2-24
Terminal Strip, Sub-D, and Round Connector Options	3
Technical and Operating Data	4
How to Order-Valves and Regulators	5
How to Order-Manifold Assembly	6
AKJ or AKM 25 or 37 Pin Sub-D Ordering Example	7
AKF or AKT 1-16 or 1-32 Terminal Strip Ordering Example	7
AKP, AKR or AKS 12 Pin, 26 or 26+12 Pin Round Connector Ordering Example	7
Individual Base Assembly Kit	8
Internal/External Pilot Selection	8
Valve on Individual Base	9
Sandwich Pressure Regulators Ordering Example	10
Valve Regulator / Speed Control Plug-in Assembly	11
Regulator Kits & Service Parts	11
Sandwich Pressure Regulator Dimensions	12
Gauge Kit	12
Mid-Station Supply and Exhaust Block	13
Sandwich Pressure Block	13
Sandwich Exhaust Block	13
Speed Control Kit	14
Blank Station Plate	14
Solenoid Pilot Assembly	15
Valve Service Kits and Parts	16
Manifold Assemblies	17
Ribbon Cable Assembly Kit	17
Internal/External Pilot Selection	18
Internal Pilot Plug	18
Blocking Disc	18
Internal Muffler	18
End Plate Kits	19
Adaptor Plate Kits	20
25 Pin Sub-D Connector Kit	21
37 Pin Sub-D Connector Kit	21
1-16 & 1-32 Terminal Strip Kit	22
26 Pin & 26 Pin Round Connector Kit	22
12 Pin Round Connector Kit	23
19 Pin Round Connector Kit	23
Valve on Manifold Block	24
Manifold Assembly Dimensions	25
Electrical Interface Dimensions	26



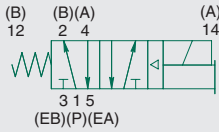
Terminal Strip, Sub-D, and Round Connector Options (exploded view)



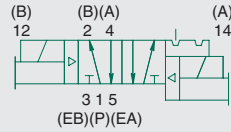


2035 Series

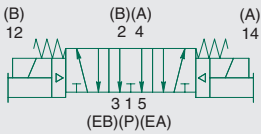
single solenoid air pilot 2 position 4-way



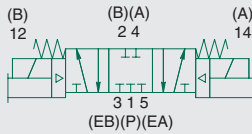
double solenoid air pilot 2 position 4-way



double solenoid air pilot 3 position 4-way open center



double solenoid air pilot 3 position 4-way closed center



5 Ported, 2 and 3 position, 4-way, Spool & Sleeve
Cv: 3.5

- Solenoid air pilot actuated
- Low wattage plug-in - 2.5 watt for DC application
- DC solenoids polarity insensitive with surge suppression
- Plug together circuit boards eliminate internal wiring
- Integral recessed gaskets
- Simple conversion from internal to external pilot supply
- Modular plug-together fieldbus electronics
- Designed to meet NEMA4/IP65
- Manifold connection allows disassembly at any station



Technical Data

VALVE DATA	ENGLISH	METRIC
Cv*	3.5*	3.5*
Flow Capacity	161 SCFM @ 80 PSIG upstream pressure to atmosphere	3500 NI/m @ 6 bar upstream pressure to 5 bar atmosphere
Operating Pressure Range	28" Hg. Vacuum to 145 PSIG	Vacuum to 10 bar
Pilot Pressure Range	26.1 to 120 PSIG	1.8 to 8.2 bar
Temperature Range (Ambient)	-10°F to +115°F	-23°C to +46°C

Operating Data

ALL SOLENOIDS ARE CONTINUOUS DUTY RATED	24 VDC	110-120 VAC / 50/60 Hz.		
Power (Watts)	2.5	4.2		
Holding Current (Amps)	0.10	0.03		
RESPONSE TIME IN SECONDS**	ENERGIZE	DE-ENERGIZE	ENERGIZE	DE-ENERGIZE
2 - Position, Single, Spring Return	.021	.067	.015	.070
2 - Position, Double, Detented	.017	N/A	.015	N/A
3 - Position, Spring Centered	.021	.072	.018	.080

* Valve on 1/2 NPTF Sub-Plate

** Per ISO12238 Standard



How to Order

Valves

353 BB 4 Z6 M N 000 61

Valve Series & Port Size
 353* = 3/8
 354 = 1/2
 *Use for valve unit only (Mounting = 00)

Valve Type
 BA = Single Solenoid Pilot, (Spring Return) w/Flush Non-Locking Override
 BB = Double Solenoid Pilot w/Flush Non-Locking Override
 00 = Blank Station Plate

Function
 4 = 2 Position, 4-way
 5 = 3 Position, 4-way Open Center
 6 = 3 Position, 4-way Closed Center
 P = Blank Station Plate

Mounting
 00 = Valve Unit only
 3A = Individual Base, Side Ports, Individual Exhaust
 3B = Individual Base, Side & Bottom Ports, Individual Exhaust
 3C = 3A w/ Speed Control
 3D = 3B w/ Speed Control
 Z1 = Manifold Block w/Side and Bottom Ports, Single Solenoid Internal Circuit Board
 Z2 = Manifold Block w/Side and Bottom Ports, Double Solenoid Internal Circuit Board
 Z5 = Z1 w/Speed Control
 Z6 = Z2 w/Speed Control
 R1 = Z1 w/ Ribbon Cable Connector
 R2 = Z2 w/ Ribbon Cable Connector
 R5 = Z5 w/ Ribbon Cable Connector
 R6 = Z6 w/ Ribbon Cable Connector

Voltage
 20 = 24/50-60 VAC
 30 = 110-120/50-60 VAC
 60 = 12 VDC
 61 = 24 VDC
 00 = Blank Station Plate

Special Options
 11B = Flush Locking Override
 11M = No Override
 56Y = 12 mm Electrical Connector in Conduit Port of Base Mounting Only

Port Type
 N = NPTF
 G = G Tap
 0 = Valve Unit only

Wiring Option
 K = Plug-in AC w/Light
 M = Plug-in DC w/Light
 0 = Blank Station Plate

Regulators

353 RS 3 Z1 J N 000 00

Valve Series & Port Size
 353* = 3/8
 354 = 1/2
 *Use for regulator unit only (Mounting = 00).

Regulator Type
 RS = Single Pressure to Port 1 (P)
 RD = Dual Pressure to Ports 3 (EB) & 5 (EA)
 RC = Dual Pressure w/Non-relieving Checks
 RQ = Dual Pressure w/Relieving Checks
 RE = Dual Pressure to Ports 4 (A) & 2 (B)
 RT = 2 Pressure Selector

Note: For metric gauge, replace R with E in 4th digit.

Pressure Range
 1 = 10-130 PSIG (0.7-9 bar)
 3 = 3-30 PSIG (0.2-2 bar)
 4 = 5-60 PSIG (0.5 - 4 bar)

Special Options
 12H = Less gauge
 16N = Jumper on 14 (A) End
 16P = Jumper on 12 (B) End
 16W = Top Facing Gauge
 000 = No Option

Port Type
 N = NPTF
 G = G Tap
 0 = Regulator Unit Only

Wiring Option
 J = Plug-In Receptacle Assembly
 O = Non-Plug-In (Type RE only)

Mounting
 00 = Regulator Unit Only
 Z1 = Manifold Block w/Side and Bottom Ports, Single Solenoid Internal Circuit Board
 Z2 = Manifold Block w/Side and Bottom Ports, Double Solenoid Internal Circuit Board
 Z5 = Z1 w/Speed Control
 Z6 = Z2 w/Speed Control
 R1 = Z1 w/Ribbon Cable Connector
 R2 = Z2 w/Ribbon Cable Connector
 R5 = Z5 w/Ribbon Cable Connector
 R6 = Z6 w/Ribbon Cable Connector



Manifold Assembly

A K J B D 0000 4 N STD

Electrical Connection Type & Location

- F = Terminal Strip 1-16
- T = Terminal Strip 1-32
- J = 25 Pin Sub-D
- M = 37 Pin Sub-D
- P = 12 Pin Round Connector
- Q = 19 Pin Round Connector
- R = 26 Pin Round Connector
- S = 26 + 12 Pin Round Connector
- C = For Fieldbus Electronics, See Electronics Section

Valve Series

- B = 2035 Series

Number of Valve Stations*

- | | | | |
|-------|--------|--------|--------|
| A = 1 | I = 9 | Q = 17 | Y = 25 |
| B = 2 | J = 10 | R = 18 | Z = 26 |
| C = 3 | K = 11 | S = 19 | 2 = 27 |
| D = 4 | L = 12 | T = 20 | 3 = 28 |
| E = 5 | M = 13 | U = 21 | 4 = 29 |
| F = 6 | N = 14 | V = 22 | 5 = 30 |
| G = 7 | O = 15 | W = 23 | 6 = 31 |
| H = 8 | P = 16 | X = 24 | 7 = 32 |

Valve Series

- G = 2012 Series
- E = 2005 Series
- 0 = No Second Valve Series

Number of Valve Stations*

- | | | | |
|-------|--------|--------|--------|
| A = 1 | I = 9 | Q = 17 | Y = 25 |
| B = 2 | J = 10 | R = 18 | Z = 26 |
| C = 3 | K = 11 | S = 19 | 2 = 27 |
| D = 4 | L = 12 | T = 20 | 3 = 28 |
| E = 5 | M = 13 | U = 21 | 4 = 29 |
| F = 6 | N = 14 | V = 22 | 5 = 30 |
| G = 7 | O = 15 | W = 23 | 6 = 31 |
| H = 8 | P = 16 | X = 24 | 7 = 32 |

Options

- STD = Standard
- MUF = Muffler in End Plates
- A06 = End Plate with Ports on Left End Only, Mounting Plate Only on Right End
- D11 = A06 w/Muffler in End Plates
- 14X = External Pilot

Port Type

- N = NPTF
- G = G Tap

End Plate Port Size

- 4 = 1/2
- X = Multiple Valve Groups Resulting in Different Standard End Plate Port Size (2035 = 1/2, 2012 = 3/8)

Number of Valve Stations*

- | | | | |
|-------|--------|--------|--------|
| A = 1 | I = 9 | Q = 17 | Y = 25 |
| B = 2 | J = 10 | R = 18 | Z = 26 |
| C = 3 | K = 11 | S = 19 | 2 = 27 |
| D = 4 | L = 12 | T = 20 | 3 = 28 |
| E = 5 | M = 13 | U = 21 | 4 = 29 |
| F = 6 | N = 14 | V = 22 | 5 = 30 |
| G = 7 | O = 15 | W = 23 | 6 = 31 |
| H = 8 | P = 16 | X = 24 | 7 = 32 |

Valve Series

- E = 2005 Series
- 0 = No Third Valve Series

Maximum Solenoid Outputs

TERMINAL STRIP		25 PIN SUB-D	37 PIN SUB-D	26 PIN ROUND	26 + 12 PIN ROUND	12 PIN ROUND	19 PIN ROUND
AK "F"	AK "T"	AK "J"	AK "M"	AK "R"	AK "S"	AK "P"	AK "Q"
16	32	22	32	22	32	8	16

*NOTE: Maximum number of valve stations is determined by:

- The electrical connection type.
- The valve type - single solenoid valves up to the maximum solenoid outputs allowed by the electrical connection type (see chart above) or a combination of single and/or double solenoid valves not to exceed the maximum number of solenoid outputs allowed.
- Combination of all stations cannot exceed 32.



AKJ or AKM 25 or 37 Pin Sub-D

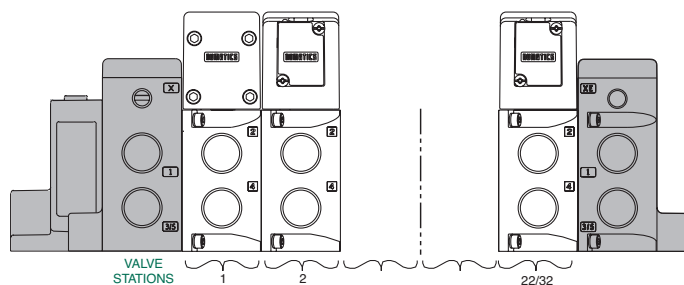
- Shaded components described by Assembly Kit (AK) model number designation (page 6).
- Each valve manifold station is listed in sequential order from left to right when facing the port side of the manifold as indicated.

Example order:

25 Pin Sub-D	AKJBD00004NSTD
valve station 1	353BA4Z1MN00061
valve station 2	353BA4Z1MN00061
valve station 3	353BB4Z2MN00061
valve station 4	353BB5Z2MN00061
	ASSEMBLED

Example order:

37 Pin Sub-D	AKMBD00004GMUF
valve station 1	353BA4Z1MG00061
valve station 2	353BA4Z1MG00061
valve station 3	353BB5Z2MG00061
valve station 4	353BB6Z2MG00061
	ASSEMBLED

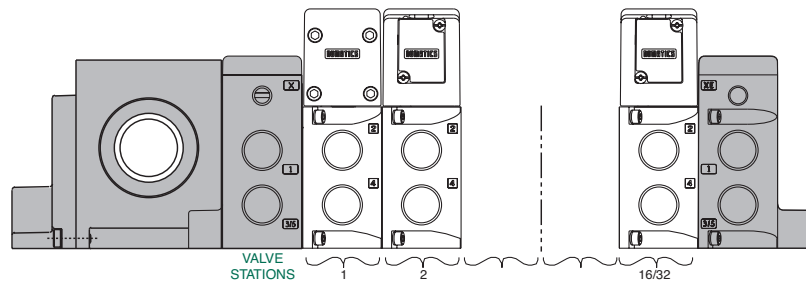


AKF or AKT 1-16 or 1-32 Terminal Strip

- Ordered using the same method as Sub-D:

Example order:

valve station 1	AKFBF00004NSTD
valve station 2	354BA4Z1MN00061
valve station 3	354BA4Z1MN00061
valve station 4	354BB4Z2MN00061
valve station 5	354BB4Z2MN00061
valve station 6	354BB5Z2MN00061
	354BB6Z2MN00061
	ASSEMBLED

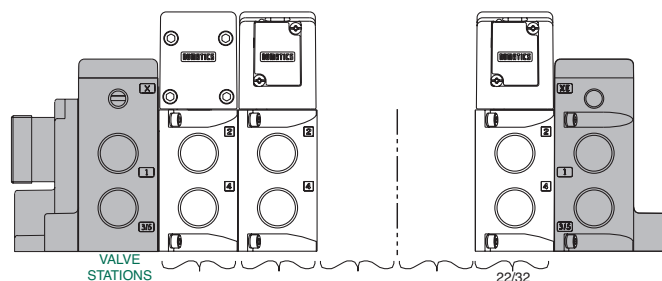


AKP, AKR or AKS 12, 26 or 26+12 Pin Round Connector

- Ordered using the same method as Sub-D:

Example order:

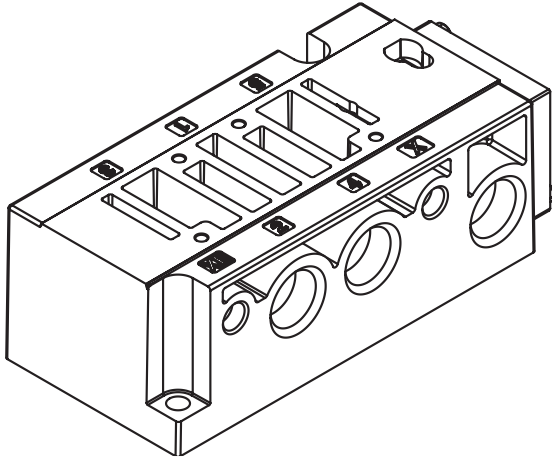
valve station 1	AKRBH00004NMUF
valve station 2	354BA4Z1MN00061
valve station 3	354BA4Z1MN00061
valve station 4	354BA4Z1MN00061
valve station 5	354BB4Z6MN00061
valve station 6	354BB4Z6MN00061
valve station 7	354BB5Z6MN00061
valve station 8	354BB5Z6MN00061
	ASSEMBLED





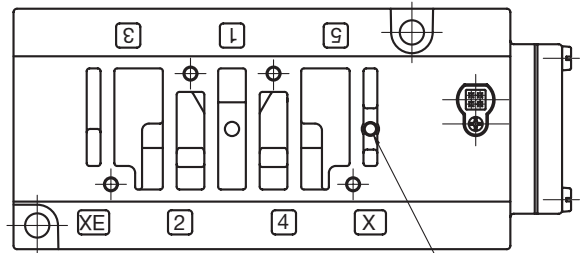
2035 Series

Individual Base Assembly Kit

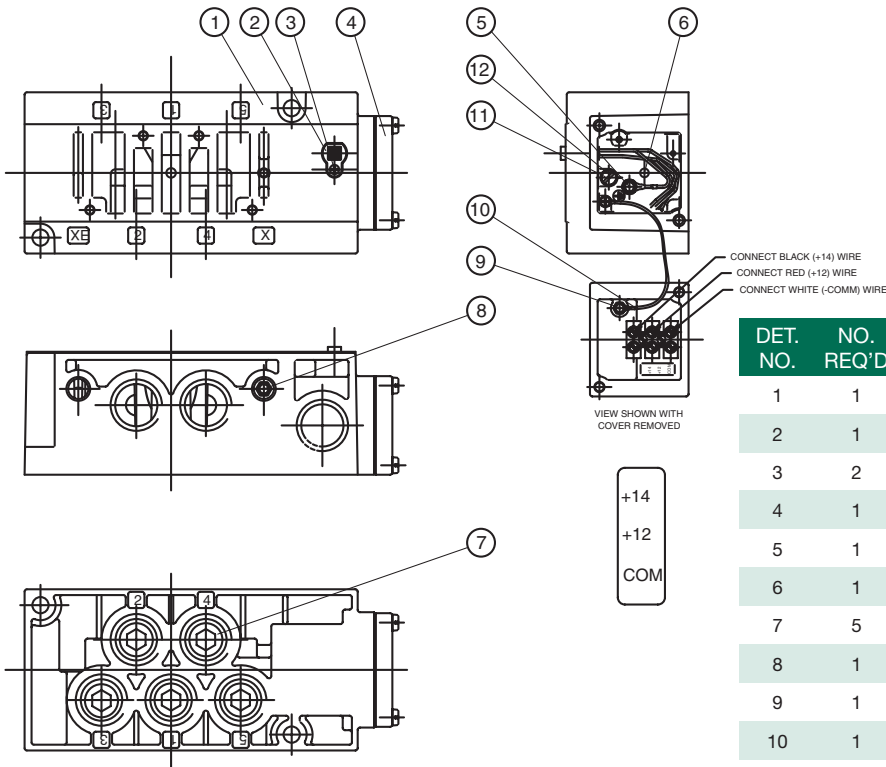


PORT SIZE	PART NO.
1/2 NPTF Side Ports	203-1283
1/2 NPTF Side & Bottom	203-1284
3/8 NPTF Side Ports	203-1287
3/8 NPTF Side & Bottom	203-1288
1/2 G Side Ports	203-1285
1/2 G Side & Bottom	203-1286
3/8 G Side Ports	203-1289
3/8 G Side & Bottom	203-1290

Internal/External Pilot Selection



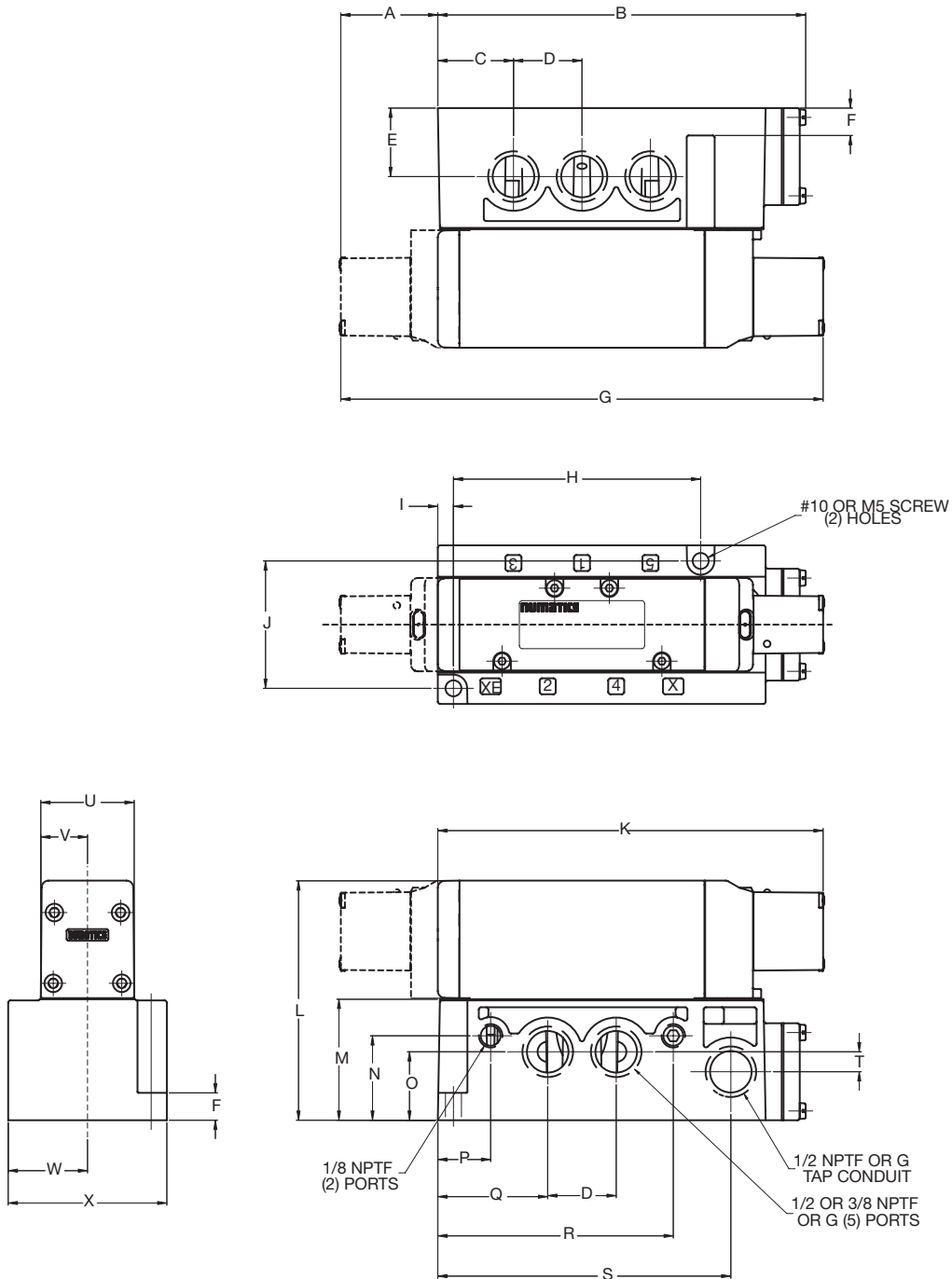
Note: Base assemblies are supplied set up for internal pilot supply. To convert to external pilot supply install plug P.N. 127-691 (sold separately) in the "X" gallery as indicated above. Remove the 1/8 NPTF pipe plug from the "X" port to supply pilot pressure.



DET. NO.	NO. REQ'D	PART NAME	PART NO.
1	1	Base	103-893
2	1	Connector Assembly	230-1147
3	2	Screw	127-318
4	1	Cover Assembly	205-389
5	1	Screw	127-310
6	1	5/32 in. Ball	121-101
7	5	1/2 Pipe Plug	129-103
8	1	1/8 Pipe Plug	129-100
9	1	Screw	127-172
10	1	Strap	125-772
11	1	Screw	127-176
12	1	Washer	128-162



Valve on Individual Base



Dimensions

top dimensions = inches
bottom dimensions (in parenthesis) = millimeters

A	B	C	D	E	F	G	H	I	J	K	L	M	N	O	P
1.67 (42.5)	6.35 (161.2)	1.31 (33.2)	1.18 (30.0)	1.18 (30.0)	0.47 (12.0)	8.32 (211.3)	4.26 (108.3)	0.27 (6.9)	2.20 (55.8)	6.64 (168.8)	4.13 (104.9)	2.09 (53.0)	1.46 (37.0)	1.18 (30.0)	0.91 (23.2)
Q	R	S	T	U	V	W	X								
1.90 (48.2)	4.06 (103.2)	5.06 (128.4)	0.35 (8.8)	1.61 (40.9)	0.81 (20.5)	1.37 (34.8)	2.74 (69.5)								

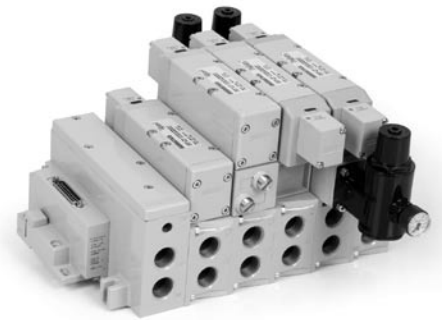


Sandwich Pressure Regulators Types: RS / RD / RE / RT / RC / RQ

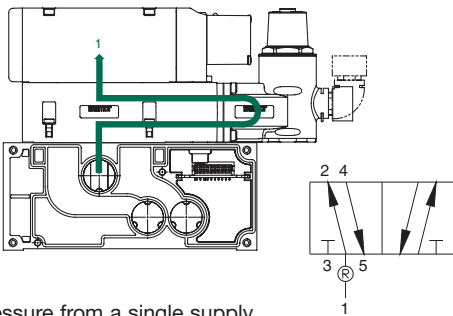
When ordering a valve with a regulator mounted on a manifold, list the valve unit model number only and include the mounting requirements with the regulator.

Specify "Assembled."

EXAMPLE ORDERS:	TYPE RS	TYPE RD
Valve unit only:	353BA400K000030	353BB400M000061
Regulator +mounting	353RS1Z1JN00000 ASSEMBLED	353RD1Z2JN00000 ASSEMBLED

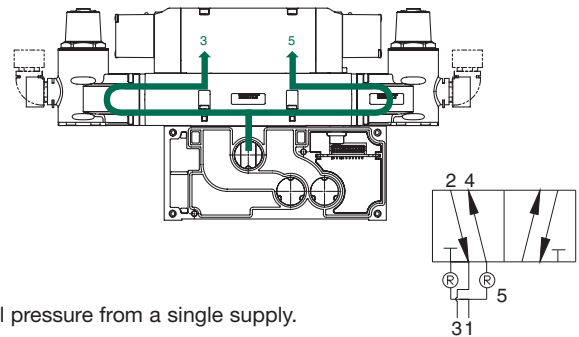


Type RS



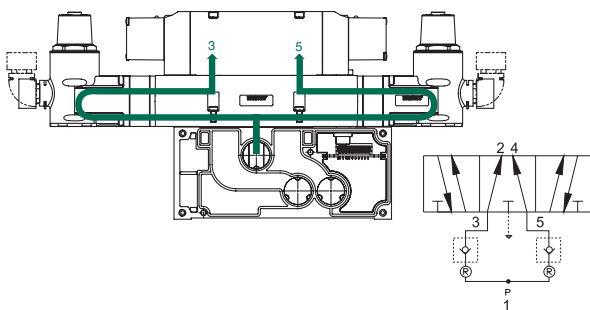
Single pressure from a single supply.

Type RD



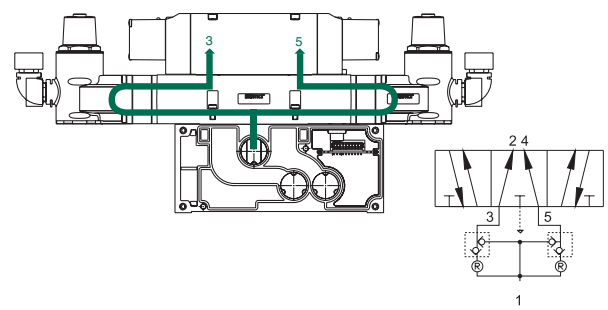
Dual pressure from a single supply.

Type RC



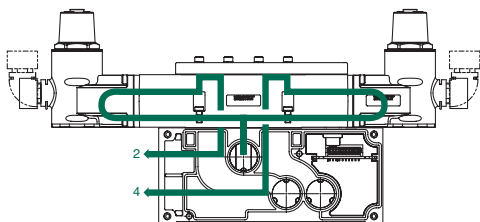
Type RC is non-relieving:
Traps downstream pressure if upstream pressure is exhausted.

Type RQ



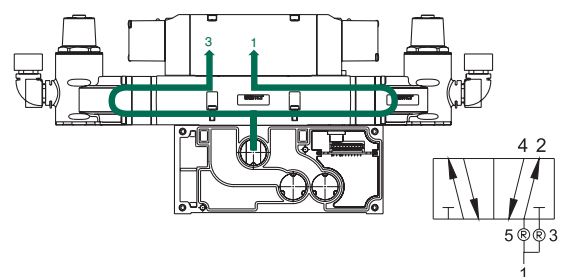
Type RQ is relieving:
Exhausts pressure in cylinder if upstream pressure is exhausted.

Type RE



External regulator - separate pressures to ports 2 and 4.

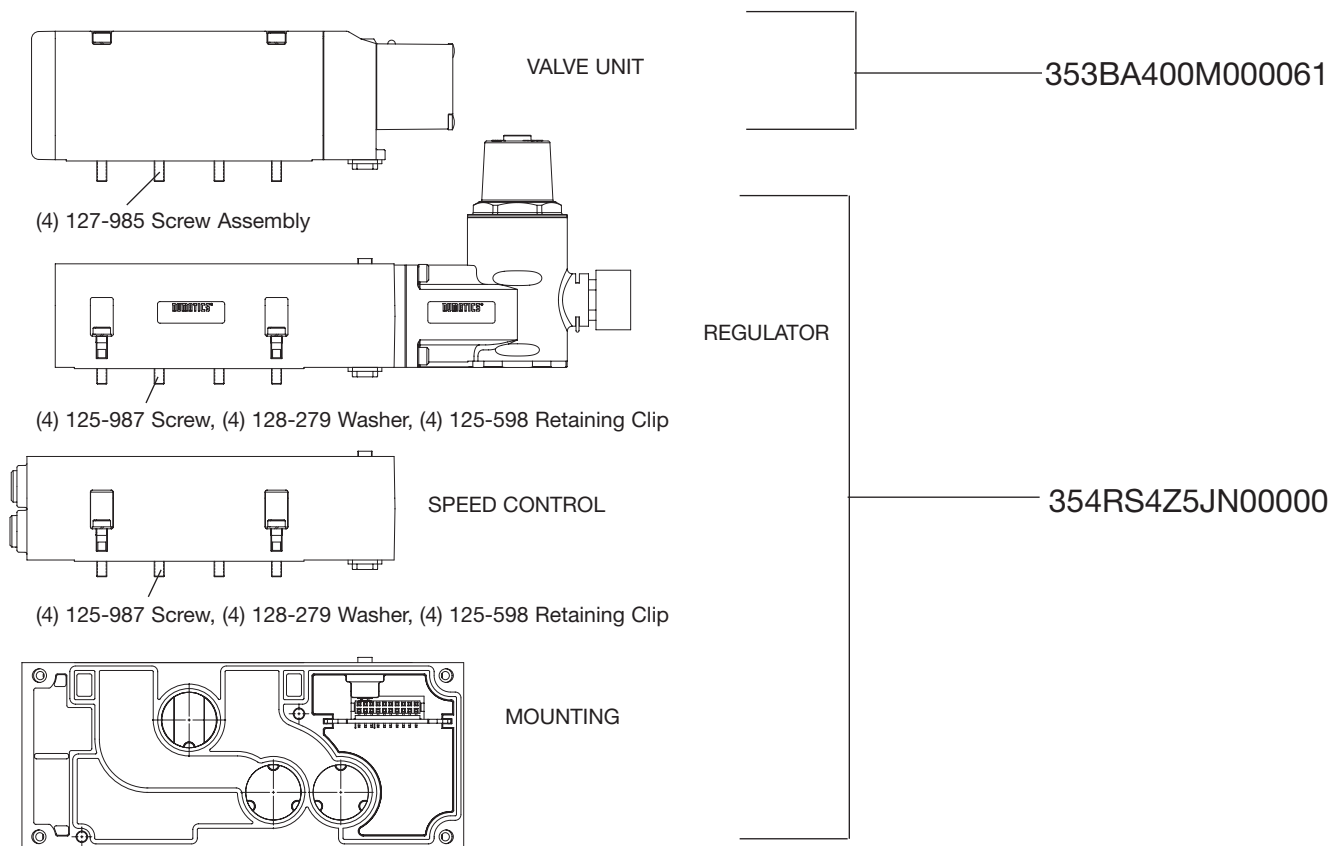
Type RT



Two-pressure selector used for multi-pressure applications.



Valve Regulator / Speed Control Plug-in Assembly

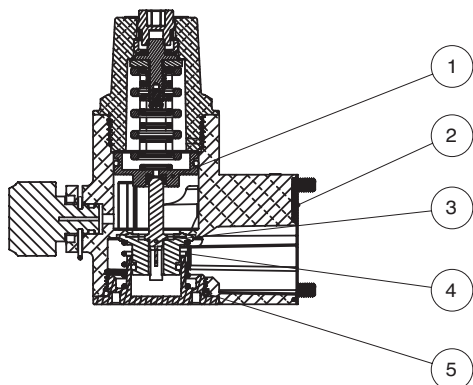


Regulator Kits & Service Parts

Regulator Service Kit 239-2256

Check Assembly Kits RC: 239-2254

RQ: 239-2253



Regulator Unit Kits

(includes regulator assembly, gaskets, screws)

PSIG	PART NO.
3-30 PSIG	239-2220
5-60 PSIG	239-2221
10-130 PSIG	239-2222

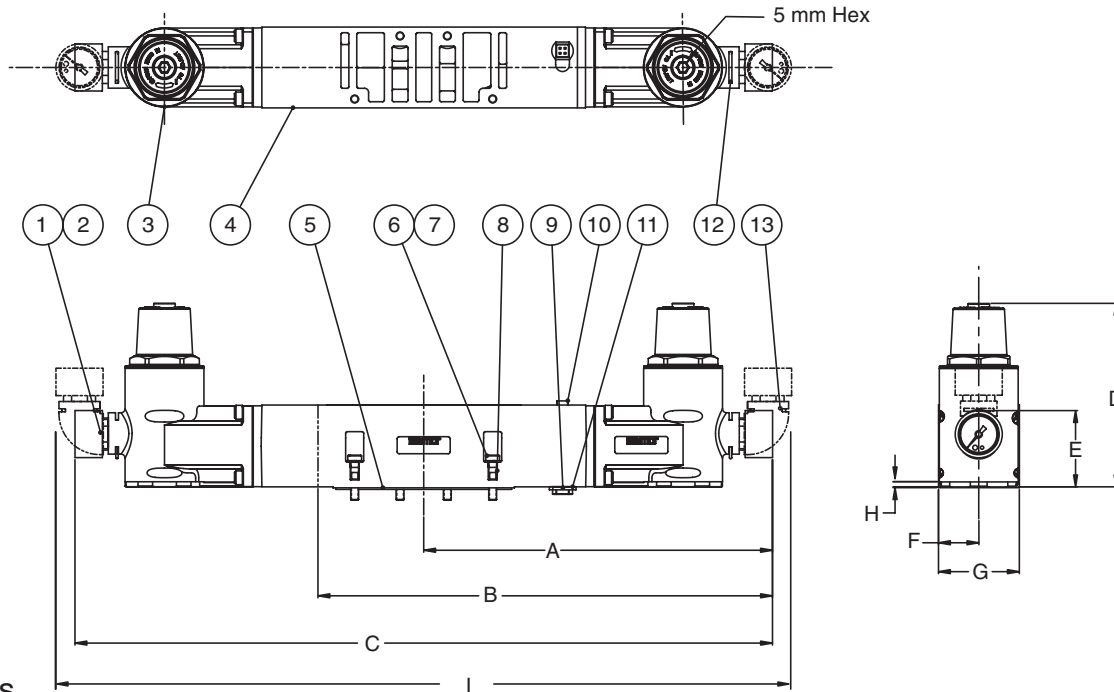
Bonnet Springs

PSIG	PART NO.
3-30 PSIG	115-428
5-60 PSIG	115-429
10-130 PSIG*	115-426
*Both springs required	115-427

DET. NO.	NO. REQ'D	PART NAME
1	1	Piston Assembly
2	1	Gasket
3	1	Poppet Valve Assembly
4	1	Spring
5	1	O-Ring



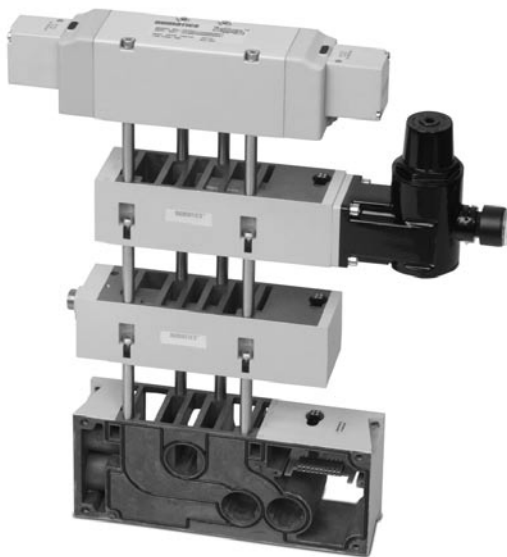
Sandwich Pressure Regulator



Dimensions

top dimensions = inches
bottom dimensions (in parenthesis) = millimeters

A	B	C	D	E	F	G	H	I
6.97	9.07	13.94	3.67	1.52	0.79	1.57	0.02	14.69
(177.1)	(230.7)	(354.1)	(93.1)	(38.6)	(20.5)	(41.0)	(0.46)	(373.1)



Gauge Kit

160 PSI	11 bar max.	60 PSI	4 bar max.
214-214	214-215	214-219	214-220

Gauge Adaptor Kit 1/8 NPTF **239-1561**
Elbow Kit **239-1217**

Parts List

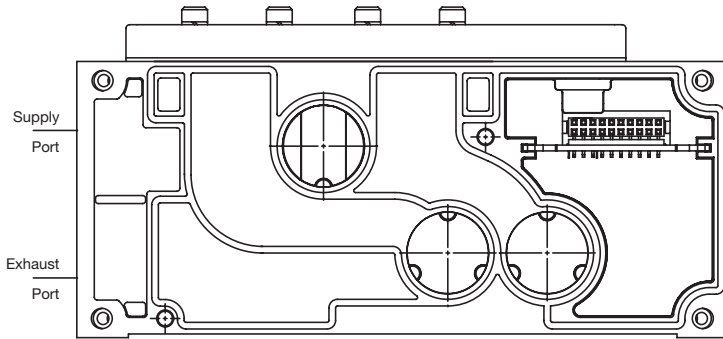
DET. NO.	NO. REQ'D	PART NAME	PART NO.
1	1*	Gauge 160 PSI max.	214-212
1	1*	Gauge 11 Bar max.	214-213
1	1*	Gauge 60 PSI max.	214-217
1	1*	Gauge 4 Bar max.	214-218
2	1*	O-Ring	126-105
3	1*	Regulator	See pg 11
4	1	Regulator Block	RS 125-1102 RD, RC, RQ 125-1103 RT 125-1104 RE 125-1105
5	1	Gasket	113-623
6	4	Screw	127-987
7	4	Lockwasher	128-279
8	4	Screw Retaining Clip	125-598
9	1	Screw	127-318
10	1	Plug Assembly	230-1123
11	1	Gasket	113-618
12	1*	Pin	131-236
13	1*	Elbow	134-505

* (2) Required for RD

Note: RC and RQ require Check Ass'y Kits p. 8



Mid-Station Supply and Exhaust Block

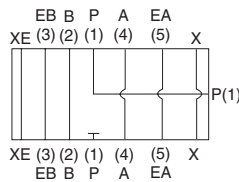
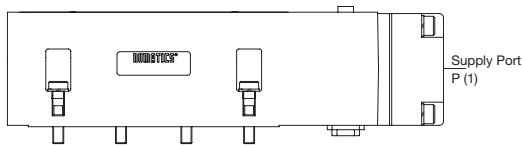


- Add additional supply and exhaust capacity to large manifold assemblies
- Add different pressure to manifold section with use of blocking disks
- Same size as standard manifold block with blank station plate

Mid-Station Supply & Exhaust Block Kit

PORT TYPE	PART NO.
NPTF 1/2	239-2224
G 1/2	239-2225

Sandwich Pressure Block

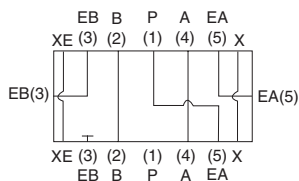
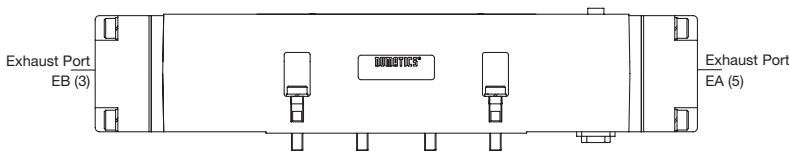


- Used to supply a separate pressure to a single valve station without needing blocking disks.

Sandwich Pressure Block Kit

PORT TYPE	PART NO.
NPTF 3/8	239-2227
G 3/8	239-2228

Sandwich Exhaust Block



- Used to isolate the exhaust of a single valve station from the manifold.
- Allows faster exhaust response by re-routing.
- Exhaust externally to the manifold.

Sandwich Exhaust Block Kit

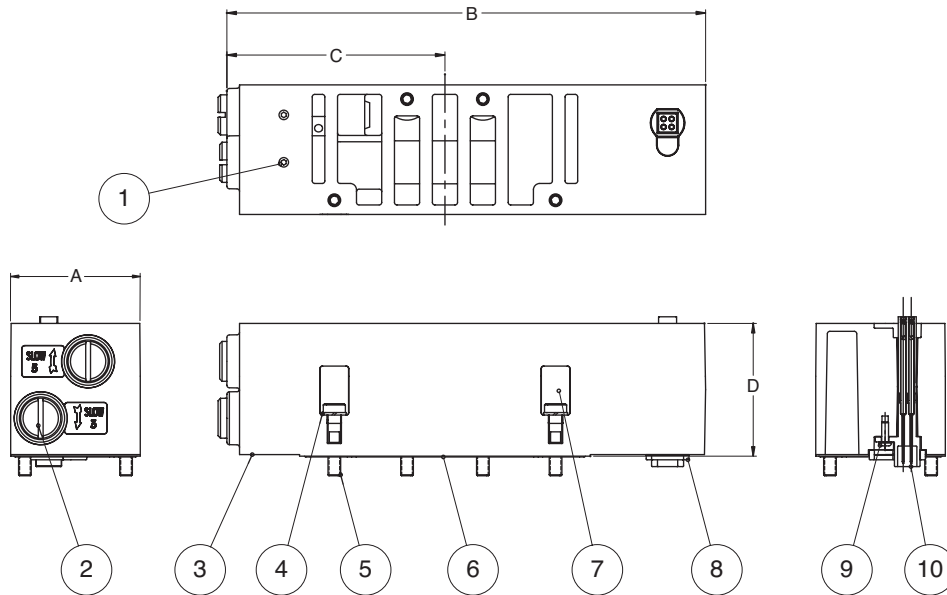
PORT TYPE	PART NO.
NPTF 3/8	239-2229
G 3/8	239-2230



2035 Series

Speed Control Kit

239-2223



Dimensions

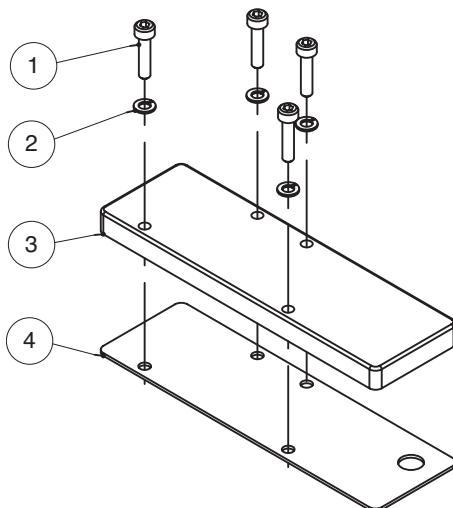
top dimensions = inches
bottom dimensions (in parenthesis) = millimeters

A	B	C	D
1.61 (41.0)	5.96 (151.5)	2.72 (69.0)	1.65 (42.0)

DET. NO.	NO. REQ'D.	PART NAME	PART NO.
1	2	Retaining Screw	127-686
2	2	Metering Screw	118-179
3	1	Speed Control Body	125-1099
Not Shown	2	Nylon Rod	125-602
4	4	Washer	128-279
5	4	Screw	127-987
6	1	Gasket	113-623
7	4	Retaining Clip	125-598
8	1	Gasket	113-618
9	1	Screw	127-318
10	1	Plug Assembly	230-1123

Blank Station Plate

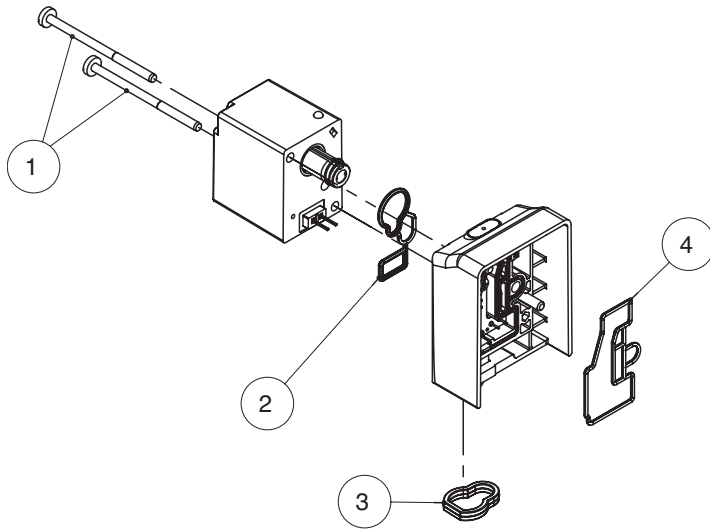
239-2218



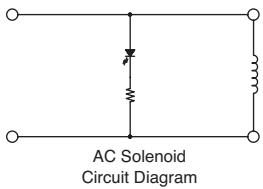
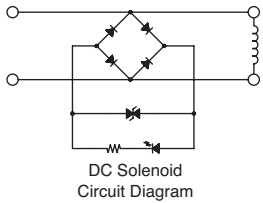
DET. NO.	NO. REQ'D.	PART NAME	PART NO.
1	4	Screw	127-398
2	4	Washer	128-279
3	1	Blank Station Plate	104-809
4	1	Gasket	113-624



Solenoid Pilot Assembly



DET. NO.	NO. REQ'D.	PART NAME	PART NO.
1	2	Screw	127-823
2	1	Gasket	113-617
3	1	Gasket	113-618
4	1	Gasket	113-619

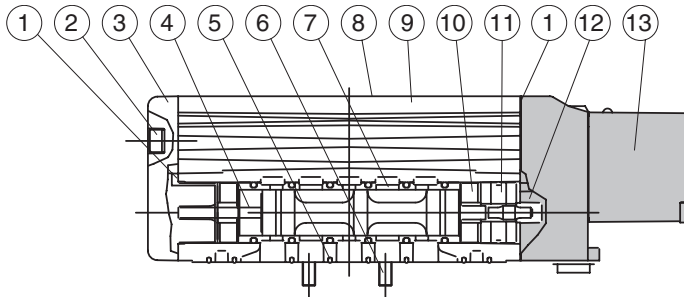


DESCRIPTION	12 VDC	24 VDC	24 VAC	120 VAC
14 end, push non-locking override	236-561	236-562	237-1169	237-1168
12 end, push non-locking override	236-557	236-558	237-1163	237-1162
14 end, turn & lock override	236-563	236-564	237-1171	237-1170
12 end, turn & lock override	236-555	236-556	237-1165	237-1164
14 end, no override	236-559	236-560	237-1167	237-1166
12 end, no override	236-553	236-554	237-1161	237-1160



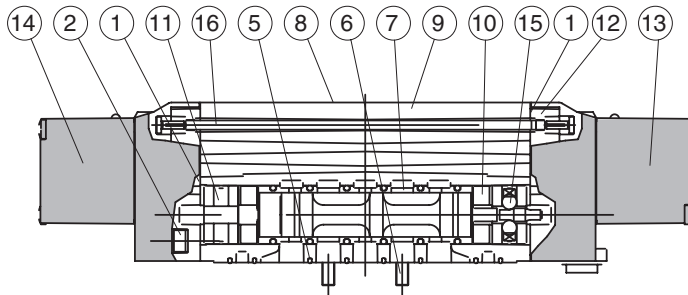
Valve Service Kits and Parts

Kit No. 2035-K1*
(For Models BA4)

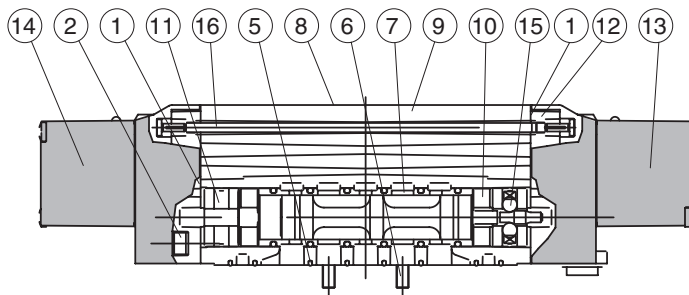


DET. NO.	NO. REQ'D				PART NAME	PART NO.
	BA4	BB4	BB5	BB6		
*1	2	2	2	2	Gasket	113-620
2	8	8	8	8	Screw Assembly	127-396
3	1	N/A	N/A	N/A	Spring Cover	104-808
*4	1	N/A	N/A	N/A	Spring	115-248
*5	1	1	1	1	Gasket	113-623
6	4	4	4	4	Screw Assembly	127-985
7	1	1	N/A	N/A	Spool & Sleeve Ass'y	209-571
7	N/A	N/A	1	N/A	Spool & Sleeve Ass'y	209-481
7	N/A	N/A	N/A	1	Spool & Sleeve Ass'y	209-482
8	1	1	1	1	Nameplate	122-1186
9	1	1	1	1	Body	101-852
*10	2	2	N/A	N/A	Bumper	114-170
*11	1	1	N/A	N/A	Detent Body	110-113
12	1	2	2	2	Pilot Plate	119-761
13	1	1	1	1	Solenoid Pilot Ass'y-14 End	See pg 15
14	N/A	1	1	1	Solenoid Pilot Ass'y-12 End	See pg 15
*15	N/A	1	N/A	N/A	Detent Assembly	210-116
16	N/A	1	1	1	12 to 14 Connector	230-1100
*17	N/A	N/A	2	2	Spring Retainer	116-488
*18	N/A	N/A	2	2	Spring	115-364
*19	N/A	N/A	2	2	Spacer	116-534
*20	N/A	N/A	2	2	Bumper	114-146

Kit No. 2035-K2*
(For Models BB4)

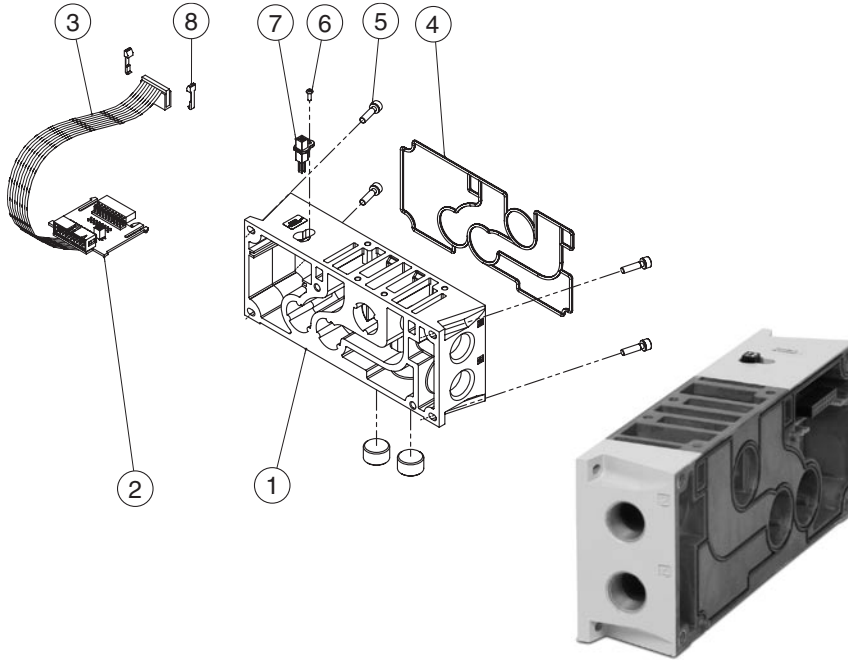


Kit No. 2035-K3*
(For Models BB5)





Manifold Assemblies



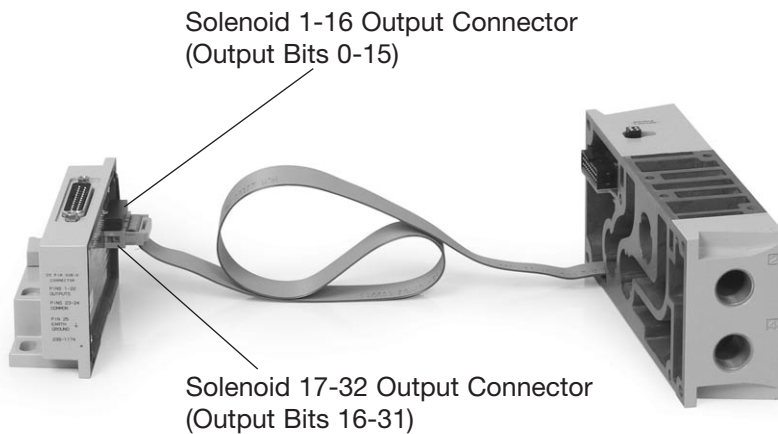
DET. NO.	NO. REQ'D	PART NAME	PART NO.
1	1	Manifold Block	Not sold separately
2	1	"Z-Board"™	Not sold separately
3	1	Ribbon Cable Ass'y	230-1127
4	1	Gasket	113-622
5	4	Screw	127-986
6	1	Screw	127-318
7	1	Electrical Plug Ass'y	230-1124
8	2	Snap in Latch	140-721

MANIFOLD ASSEMBLY KITS

Side Cylinder Ports/Bottom Cylinder Ports	1/2 NPTF/3/8 NPTF	G 1/2/G 3/8	3/8 NPTF/3/8 NPTF	G 3/8/G 3/8
Single, "Z-Board"™	206-1608	206-1610	206-1609	206-1611
Double "Z-Board"™	206-1612	206-1614	206-1613	206-1615
Single, "Z-Board"™ w/ Ribbon Cable	206-1620	206-1622	206-1621	206-1623
Double, "Z-Board"™ w/ Ribbon Cable	206-1616	206-1618	206-1617	206-1619

Ribbon Cable Assembly Kit

239-2226



NO. REQ'D.	PART NAME	PART NO.
1	Ribbon Cable Assembly	230-1127
2	Snap In Latch	140-721

Ribbon cable option used for manifold assemblies that exceed 16 solenoids.

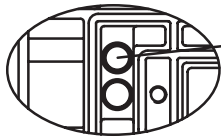


Label on manifold block indicates installed---"Z-Board"™ type.



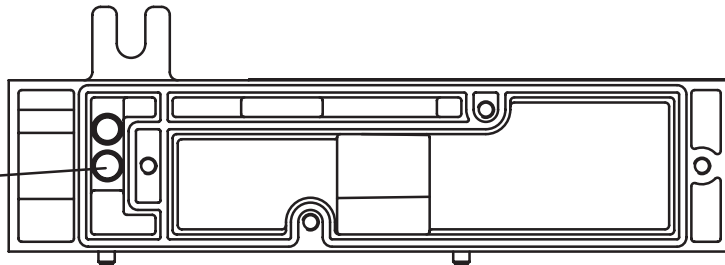
2035 Series

Internal/External Pilot Selection



FOR EXTERNAL PILOT
SUPPLY PLUG HERE
(LEFT END PLATE
ONLY)

FOR INTERNAL PILOT
SUPPLY PLUG HERE
(LEFT END PLATE
ONLY)

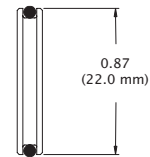
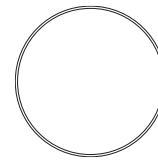
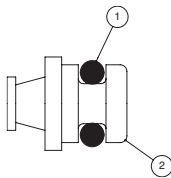


Internal Pilot Plug

213-590

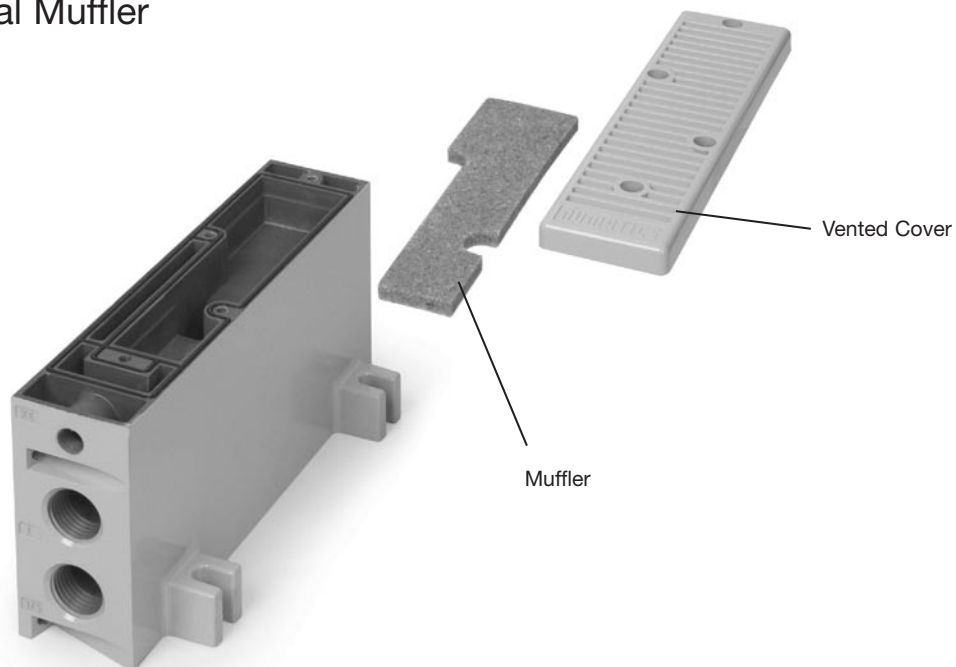
Blocking Disc

239-2219



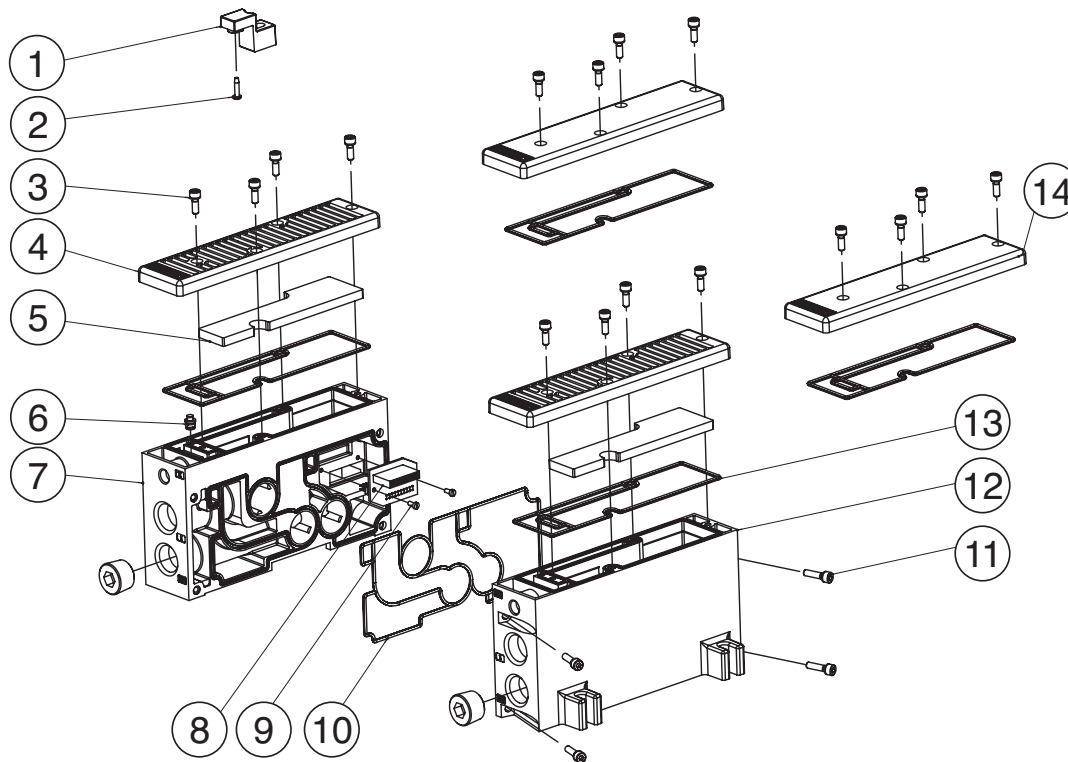
DET. NO.	NO. REQ'D	PART NAME	PART NO.
1	1	O-Ring	125-1107
2	1	Plug	126-101

Optional Internal Muffler





End Plate Kit



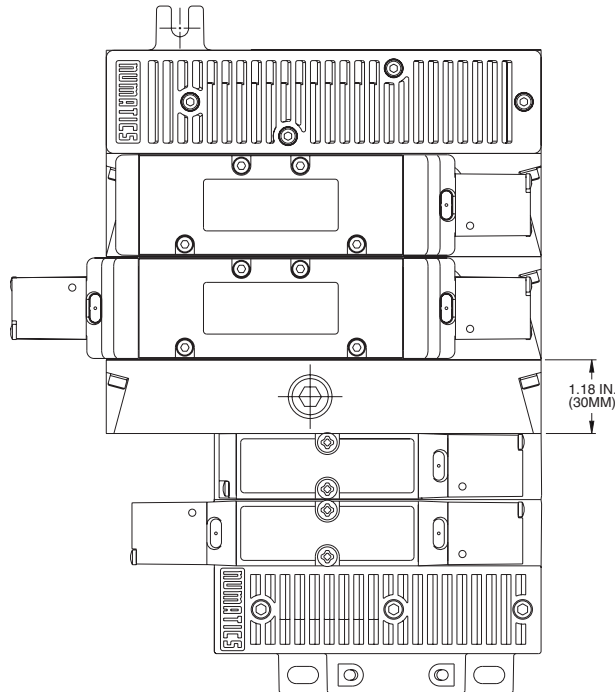
DET. NO.	NO. REQ'D	PART NAME	PART NO.
1	1	Mounting Support Stand-Off	125-1106
2	1	Screw	127-137
3	8	Screw	127-396
4	2	Muffler Cover Plate	105-457
5	2	Muffler	125-1098
6	1	Pilot Plug Assembly	213-590
7	1	L.H. End Plate	Not sold separately
8	1	Trans Conn. Board Assembly	256-879
9	2	Screw	127-794
10	1	Gasket	113-622
11	4	Screw	127-986
12	1	R.H. End Plate	Not sold separately
13	2	Cover Gasket	113-621
14	2	End Plate Cover	105-456

PORT TYPE	NPTF			G		
PORT	1	3/5	X, XE	1	3/5	X, XE
PORT SIZE	1/2	1/2	1/8	1/2	1/2	1/8
Kit with muffler	239-2205			239-2207		
Kit w/o muffler	239-2206			239-2208		



Adaptor Plate Kit 239-2278

This kit includes the adaptor plate, transfer board, gasket, screws, and studs. Individual end plates for the 2035 and 2012 are not included. This adaptor allows the transition from the 2035 to the 2012 series.



Example order*

Adaptor Plate Kit AKJBBGB00XNMUF
 354BA4Z2MN00061
 354BB4Z2MN00061
 122BA4Z1MN00061
 122BB4Z2MN00061
 ASSEMBLED

*Valve series identifier for 2012 Series = G.

Adaptor Plate Kits with End Plates

Adaptor Plate Kit with Standard End Plates (“STD” Option)

DESCRIPTION	PART NO.
2035 with 1/2 NPTF - 2012 with 3/8 and 1/2 NPTF	239-2279
2035 with 1/2 G-Tap - 2012 with 3/8 and 1/2 G-Tap	239-2280
2035 with 1/2 NPTF - 2012 with 3/8 and 1/2 NPTF w/o L.H. Cover	239-2283
2035 with 1/2 G-Tap - 2012 with 3/8 and 1/2 G-Tap w/o L.H. Cover	239-2284

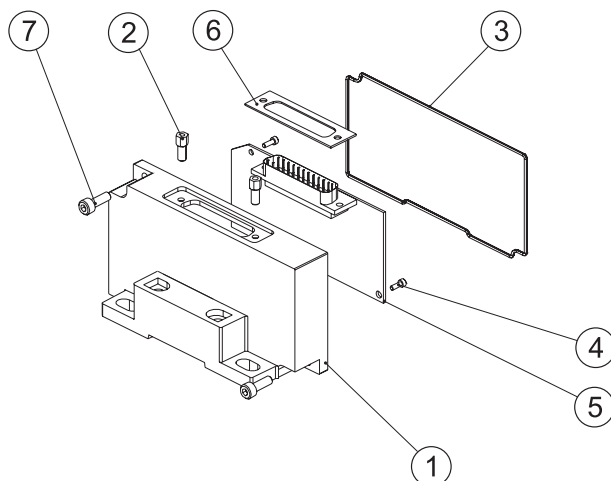
Adaptor Plate Kit with Standard End Plates and Muffler (“MUF” Option)

DESCRIPTION	PART NO.
2035 with 1/2 NPTF - 2012 with 3/8 and 1/2 NPTF	239-2281
2035 with 1/2 G-Tap - 2012 with 3/8 and 1/2 G-Tap	239-2282
2035 with 1/2 NPTF - 2012 with 3/8 and 1/2 NPTF w/o L.H. Cover	239-2285
2035 with 1/2 G-Tap - 2012 with 3/8 and 1/2 G-Tap w/o L.H. Cover	239-2286

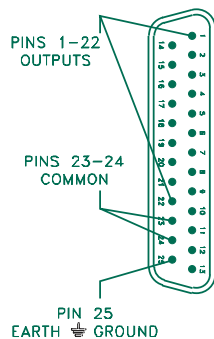


25 Pin Sub-D Connector Kit

239-1174



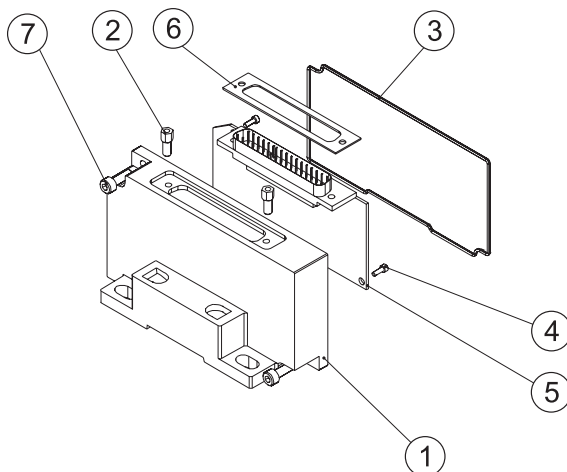
DET. NO.	NO. REQ'D	PART NAME	PART NO.
1	1	Housing	105-401
2	2	Hex Screw	127-825
3	1	Gasket	113-531
4	2	Screw	127-318
5	1	PCB Ass'y	256-607
6	1	Gasket	113-507
7	2	Screw Ass'y	127-396



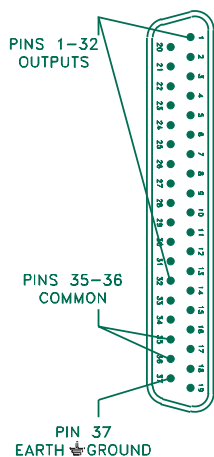
NOTE: External fusing or output protection recommended.

37 Pin Sub-D Connector Kit

239-1180



DET. NO.	NO. REQ'D	PART NAME	PART NO.
1	1	Housing	105-402
2	2	Hex Screw	127-825
3	1	Gasket	113-531
4	2	Screw	127-318
5	1	PCB Ass'y	256-608
6	1	Gasket	113-530
7	2	Screw Ass'y	127-396

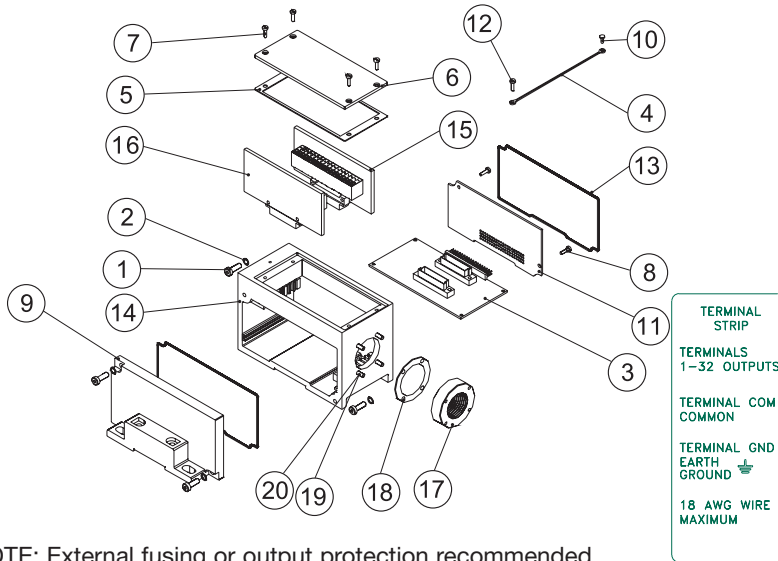


NOTE: External fusing or output protection recommended.



2035 Series

1-16 & 1-32 Terminal Strip Kit

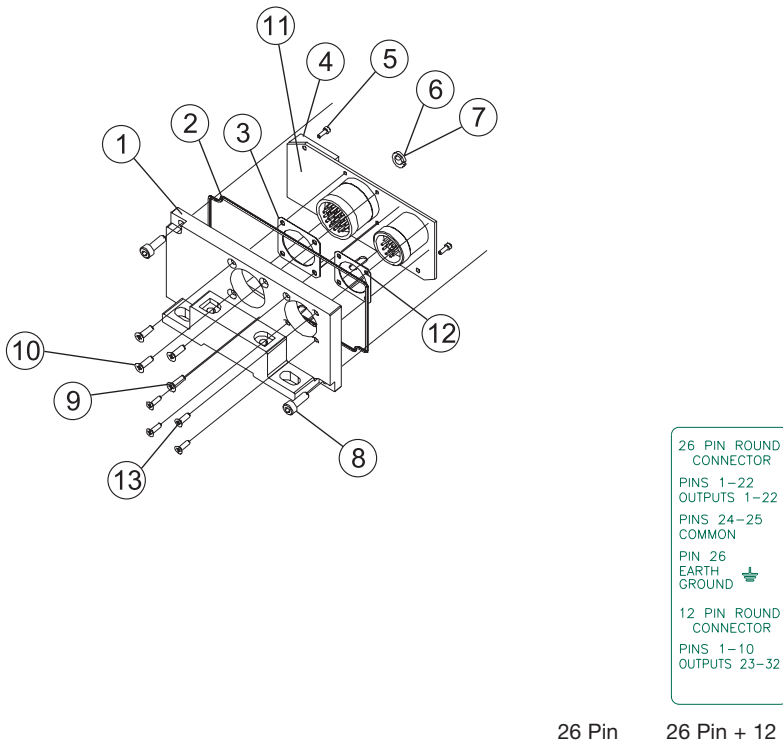


NOTE: External fusing or output protection recommended.

TERMINAL STRIP HOUSING KITS		PART NO.
1-16 Sol.		239-1229
1-32 Sol.		239-1231

DET. NO.	NO. REQ'D	PART NAME	PART NO.
1	4	Screw	127-697
2	4	Lockwasher	128-188
3	1	Backplane Board	256-618
4	1	Cover Strap	125-772
5	1	Gasket	113-533
6	1	Cover	105-405
7	4	Screw	127-852
8	1	Screw	127-318
9	1	Cover Plate	105-403
10	1	Screw	127-180
11	1	Converter Board	256-645
12	2	Screw	127-794
13	2	Gasket	113-531
14	1	Housing	125-844
15	1	Terminal Strip (1-16)	256-617
16	1	Terminal Strip (17-32)	256-619
17	1	Adapter	119-659
18	1	Gasket	113-542
19	4	Screw	127-879
20	4	Lockwasher	128-192

26 Pin, & 26 Round Connector Kits



26 Pin 26 Pin + 12 Pin

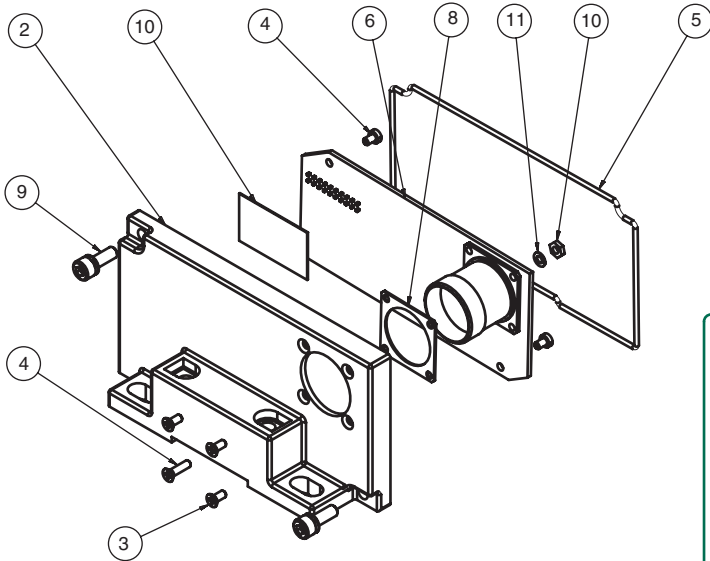
NOTE: External fusing or output protection recommended.

26 PIN ROUND KIT	PART NO.
	239-1184
26 + 12 PIN ROUND KITS	PART NO.
	239-1376

DET. NO.	NO. REQ'D	PART NAME	PART NO.		
NO.	12	26	12+26		
1	1	1	1	Cover	Not sold separately
2	1	1	1	Gasket	113-531
3	N/A	1	1	Gasket	113-353
4	N/A	1	N/A	26 PCB Ass'y	256-624
4	N/A	N/A	1	26+12 PCB Ass'y	256-688
5	2	2	2	Screw	127-875
6	1	N/A	N/A	Lockwasher	128-352
6	N/A	1	1	Lockwasher	128-294
7	1	N/A	N/A	Hex Nut	128-288
7	N/A	1	1	Hex Nut	128-293
8	2	2	2	Screw Ass'y	127-396
9	1	N/A	N/A	Screw	127-982
9	N/A	3	3	Screw	127-810
10	N/A	1	1	Screw	127-770
11	1	N/A	1	Shield	140-759
12	1	N/A	1	Gasket	113-354
13	3	N/A	4	Screw	127-811



12 Pin Round Connector Kit 239-2115



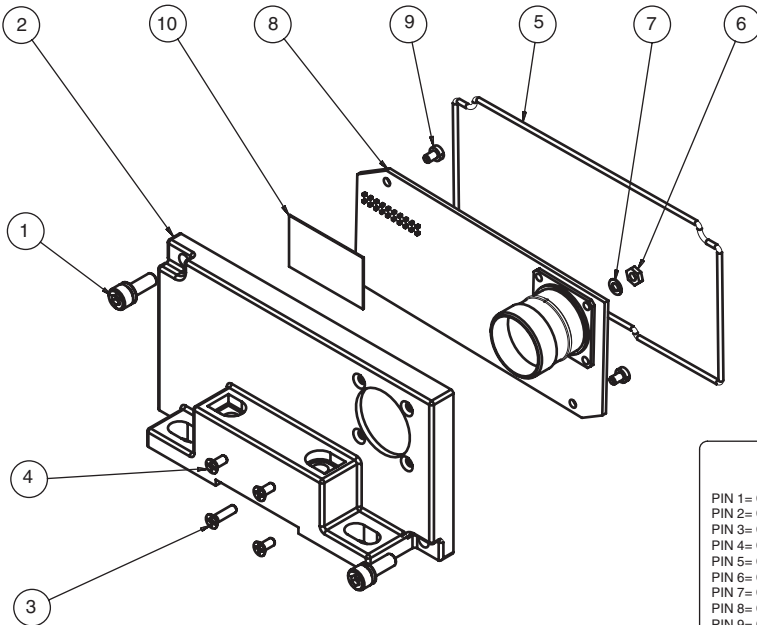
12 PIN ROUND CONNECTOR
 PINS 1-8
 INPUTS
 PINS 9-10
 COMMON
 PIN 11
 NOT USED
 PIN 12
 EARTH
 GROUND ↴
 239-2115

NOTE: External fusing or output protection recommended.

Parts List

DET. NO.	NO. REQ'D	PART NAME	PART NO.
1	1	Cover	105-451
2	1	Screw	127-982
3	1	Shield	140-759
4	2	Screw	127-875
5	1	Gasket	113-531
6	1	P.C. Brd. Assy	256-856
7	3	Screw	127-811
8	1	Gasket	113-354
9	2	Screw Assy	127-396
10	1	Nut	128-288
11	1	Lockwasher	128-352

19 Pin Round Connector Kit 239-2307



19 PIN CONNECTOR
 PIN 1= COIL 15
 PIN 2= COIL 11
 PIN 3= COIL 7
 PIN 4= COIL 4
 PIN 5= COIL 3
 PIN 6= COMMON
 PIN 7= COIL 2
 PIN 8= COIL 6
 PIN 9= COIL 10
 PIN 10= COIL 14
 PIN 11= COIL 13
 PIN 12= P.E.
 PIN 13= COIL 12
 PIN 14= COIL 8
 PIN 15= COIL 1
 PIN 16= COIL 5
 PIN 17= COIL 9
 PIN 18= COIL 16
 PIN 19= N.C.

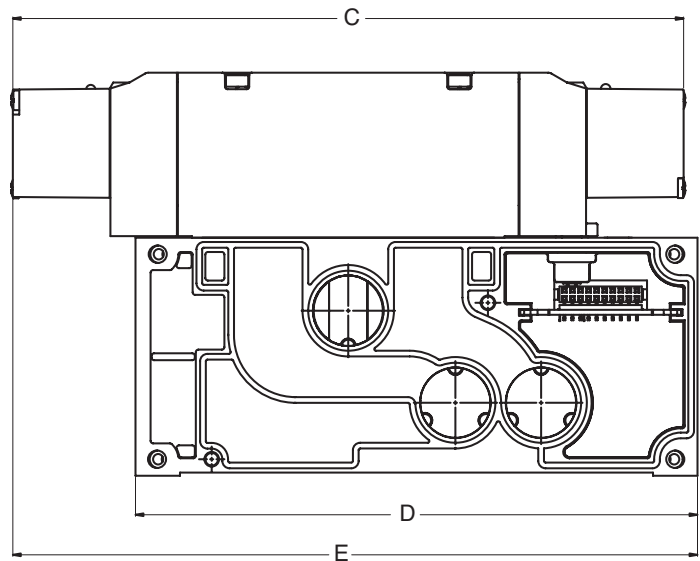
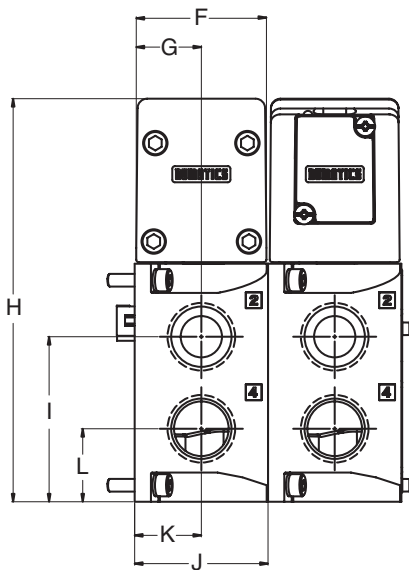
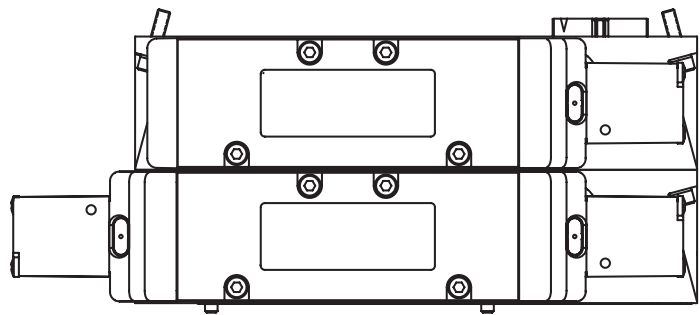
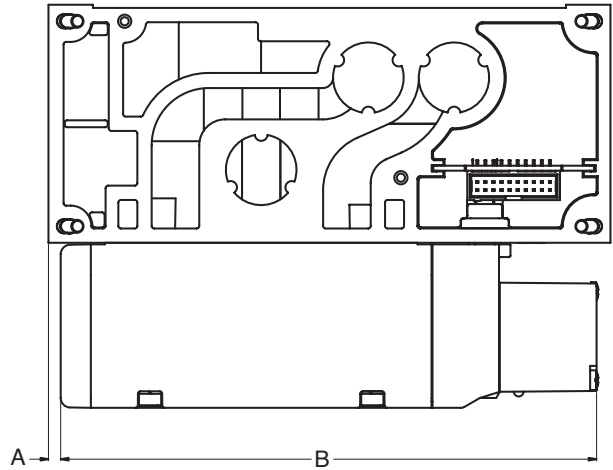
Parts List

DET. NO.	NO. REQ'D	PART NAME	PART NO.
1	2	Screw	127-396
2	1	Endplate	105-451
3	1	Nameplate	122-1058
4	1	Screw	127-982
5	3	Screw	127-811
6	1	Gasket	113-531
7	1	Nut	128-288
8	1	Lockwasher	128-352
9	1	PG Board Assy	256-905
10	2	Screw	128-875
11	1	Shield	140-759
12	1	Label	122-770

NOTE: External fusing or output protection recommended.



Valve on Manifold Block



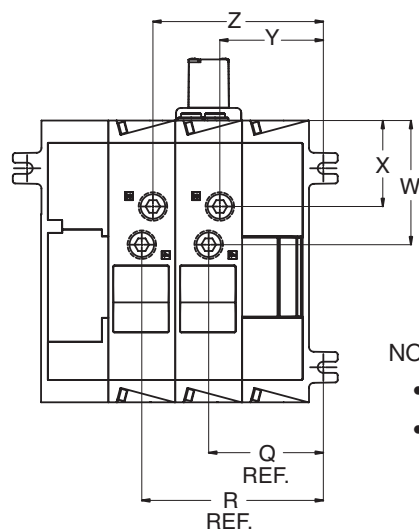
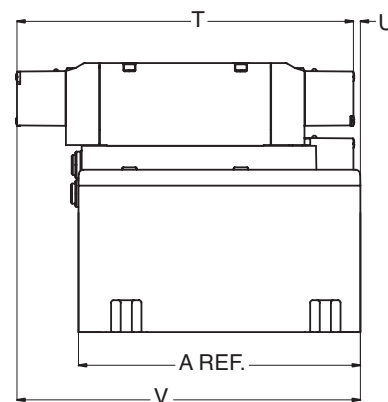
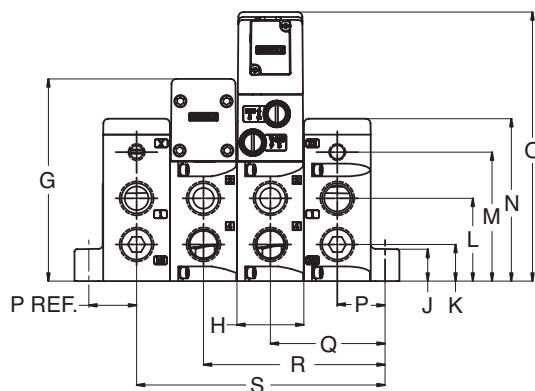
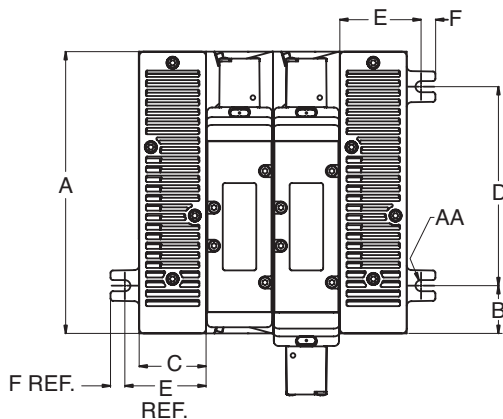
Dimensions

top dimensions = inches
bottom dimensions (in parenthesis) = millimeters

A	B	C	D	E	F	G	H	I	J	K	L
0.15	6.65	8.32	6.97	8.49	1.61	0.81	5.00	2.05	1.65	0.83	0.91
(3.9)	(168.8)	(211.3)	(177.0)	(215.6)	(41.0)	(20.5)	(127.0)	(52.0)	(42.0)	(21.0)	(23.0)



Manifold Assembly



NOTE:

- For Electrical Interface option dimensions see pg. 26.
- For Fieldbus Electronics dimensions see Electronics Section.

Dimensions

top dimensions = inches
bottom dimensions (in parenthesis) = millimeters

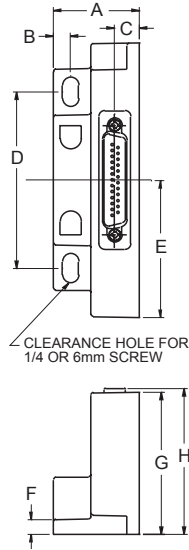
A	B	C	D	E	F	G	H	J	K	L	M	N
6.97	1.18	1.65	4.92	2.01	0.35	5.00	1.65	0.79	0.91	2.05	3.19	4.02
(177.0)	(30.0)	(42.0)	(125.0)	(51.0)	(9.0)	(127.0)	(42.0)	(20.0)	(23.0)	(52.0)	(81.0)	(102.0)

O	P	Q	R	S	T	U	V	W	X	Y	Z	AA
6.65	1.18	2.83	4.49	6.14	8.32	0.17	8.49	3.07	2.13	2.56	2.83	0.14
(169.0)	(30.0)	(72.0)	(114.0)	(156.0)	(211.3)	(4.4)	(215.6)	(78.0)	(54.0)	(65.0)	(72.0)	(3.5)



Electrical Interface

25 Pin Sub-D

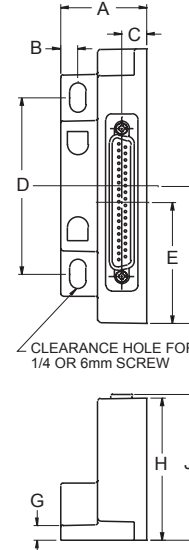


Dimensions

top dimensions = inches
bottom dimensions (in parenthesis) = millimeters

A	B	C	D	E	F	G	H
1.45	0.29	0.42	2.98	2.32	0.25	2.40	2.47
(36.8)	(7.4)	(10.7)	(75.7)	(58.9)	(6.3)	(61.0)	(62.7)

37 Pin Sub-D

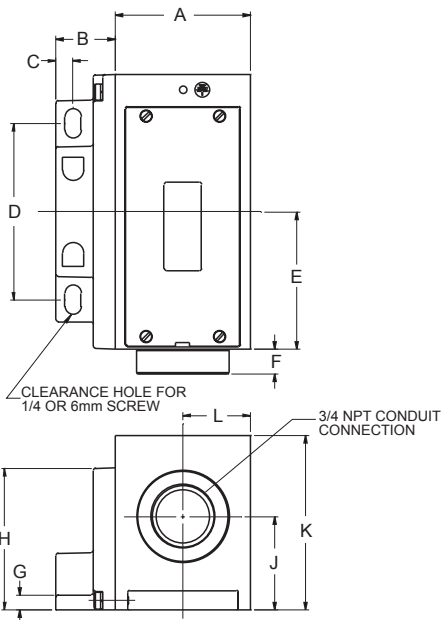


Dimensions

top dimensions = inches
bottom dimensions (in parenthesis) = millimeters

A	B	C	D	E	F	G	H	J
1.45	0.29	0.42	2.98	2.04	2.32	0.25	2.40	2.47
(36.8)	(7.4)	(10.7)	(75.7)	(51.8)	(58.9)	(6.3)	(61.0)	(62.7)

Terminal Strip 1-16 & 1-32

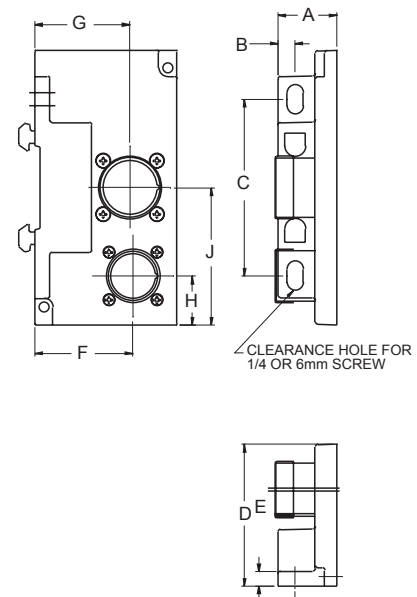


Dimensions

top dimensions = inches
bottom dimensions (in parenthesis) = millimeters

A	B	C	D	E	F	G	H	J	K	L
2.28	1.00	0.29	2.98	2.32	0.43	0.25	2.40	1.58	2.95	1.14
(57.9)	(25.4)	(7.4)	(75.7)	(58.9)	(10.9)	(6.3)	(61.0)	(40.1)	(74.9)	(29.0)

12 Pin, 26 Pin & 26 + 12 Pin Round Connector



Dimensions

top dimensions = inches
bottom dimensions (in parenthesis) = millimeters

A	B	C	D	E	F	G	H	J
1.00	0.29	2.98	2.40	0.25	1.66	1.61	0.82	2.32
(25.4)	(7.4)	(75.7)	(61.0)	(6.3)	(42.2)	(40.9)	(20.8)	(58.9)

NUMATICS®

World Class Supplier
of Pneumatic Components



World Headquarters

Numatics Incorporated
Phone: 248-887-4111
Fax: 248-887-9190

UNITED STATES

Numatics – Air Preparation
Phone: 810-667-3900
Fax: 810-667-3902

Numatics – Valves

Phone: 248-887-4111
Fax: 248-887-9190

Numatics – Miniature Valves

Phone: 248-960-1400
Fax: 248-960-2160

Numatics – Cylinders

Phone: 615-771-1200
Fax: 615-771-1201

Numatics – Rodless Cylinders

Phone: 519-452-1777
Fax: 519-452-3995

Numatics – Automation

Phone: 440-934-3200
Fax: 440-934-2288

CANADA

Ontario
Numatics, Ltd.
Phone: 519-452-1777
Fax: 519-452-3995

Quebec

Numatics, Ltd.
Phone: 514-332-6444
Fax: 514-332-9273

British Columbia

Numatics, Ltd.
Phone: 604-574-0401
Fax: 604-574-3713

EUROPE

Germany – European Headquarters

Numatics GmbH
Phone: 011-49-22 41-31 60-0
Fax: 011-49-22 41-31 60 40

Hungary

Numatics Kft.
Phone: 011-36-13 82 21 35
Fax: 011-36-12 04 39 47

EUROPE

England
Numatics Limited
Phone: 011-44-1525-37 07 35
Fax: 011-44-1525-38 25 67

France

Numatics s.a.r.l.
Phone: 011-33-1 41 21 48 88
Fax: 011-33-1 41 21 48 89

Italy

Numatics srl
Phone: 011-39-030-373 19 99
Fax: 011-39-030-373 19 81

Netherlands

Numatics B.V.
Phone: 011-31-418-65 29 50
Fax: 011-31-418-65 29 43

Spain

Numatics Spain S.L.
Phone: 011-34-93-221 21 96
Fax: 011-34-93-221 35 14

AFRICA

South Africa
Numatics SA (Pty) Ltd.
Phone: 011-27-11-8 65 44 52
Fax: 011-27-11-8 65 42 90

LATIN & SOUTH AMERICA

Mexico
Numatics de Mexico S.A. de C.V.
Phone: 011-52-222-284 6176
Fax: 011-52-222-284 6179

Brazil

Valvair Comercial Ltda.
Phone: 011-55-12-351 2874
Fax: 011-55-12-351 1958

ASIA & PACIFIC

Australia
Numatics Australia Pty. Ltd.
Phone: 011-61-3-95 63 86 00
Fax: 011-61-3-95 63 85 11

Taiwan – Asian Headquarters

Numatics Co, Ltd. Asia
Phone: 011-886-2-29 15 16 05
Fax: 011-886-2-29 14 18 97

For a comprehensive listing of all Numatics production and distribution facilities worldwide, visit www.numatics.com